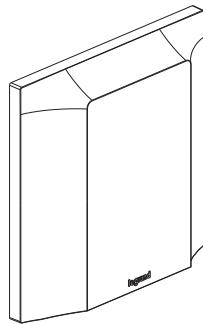


Galion™ Connection unit

Cat. No(s): 2 824 54



2 824 54

CONTENTS

1. Use.....	1
2. Range.....	1
3. Preparation.....	1
4. Overall dimensions.....	1
5. Connection.....	2
6. Technical characteristics.....	2
7. Cleaning.....	2
8. Conformity - Approvals.....	2

1. USE

Device to enable the connection of free-standing electrical appliances from the fixed wiring of the main installation.
(Supplied with M3.5 screws for BS boxes. Flush mounting or Surface mounting.)

2. RANGE

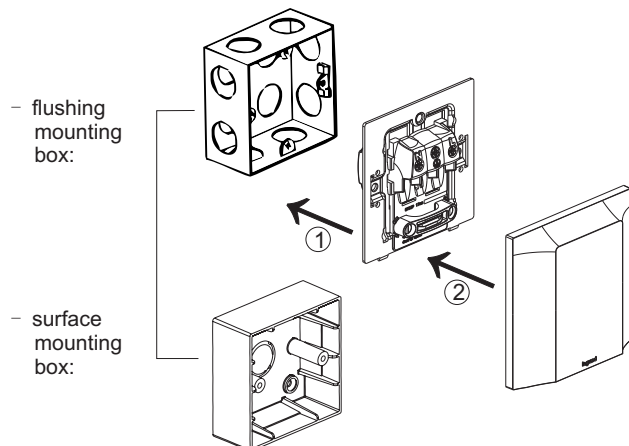
	Designation	Cat. No.	Weight (g)	Characteristics
	45A Connection Unit	2 824 54	135.4	45A 250V~

Colours

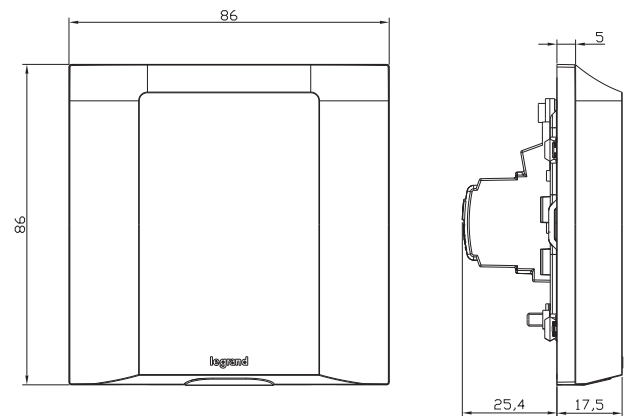
- Front: white/rose golden/champagne/dark silver
- Rear: white/rose golden/champagne/dark silver
- X XXX XX White
- X XXX XX-C Matt black
- X XXX XX-C1 Rose golden

3. PREPARATION

3.1 General preparation



4. OVERALL DIMENSIONS



Profile Size: 86×85 mm
Distance of installation hole: 60.3 mm
Minimum depth of the box ≥ 35 mm

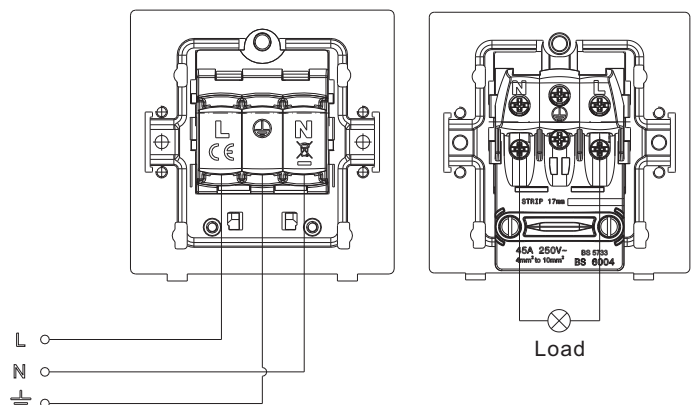
5. CONNECTION

5.1 Terminals

- Terminal capacity: 7 × 2.5 mm²
- 4 × 4 mm²
- 2 × 6 mm²
- 1 × 10 mm²

Recommended screwdriver size: 6 mm flat blade
Recommended stripping length: 12 mm

5.2 Circuit diagrams



6. TECHNICAL CHARACTERISTICS

6.1 Material characteristics

Plate: Polycarbonate

Frame: A3+Zn plated

Base: PP

Self-extinguishing:

+ 850° C / 30 s for insulating parts holding live parts in place

+ 650° C / 30 s for other parts made of insulating materials

6.2 Electrical characteristics

Voltage: 250V~

Current: 45A

6.3 Climatic characteristics

Storage temperatures: -10°C to +70°C

Operating temperatures: -5°C to +50°C

6.4 Mechanical characteristics

Impact test: IK04

Protection against liquids: IP40

7. CLEANING

Surface cleaning with a soft, slightly damp cloth.

Do not use: acetone, tar remover, trichloroethylene

8. CONFORMITY - APPROVALS

Conform to BS 5733.